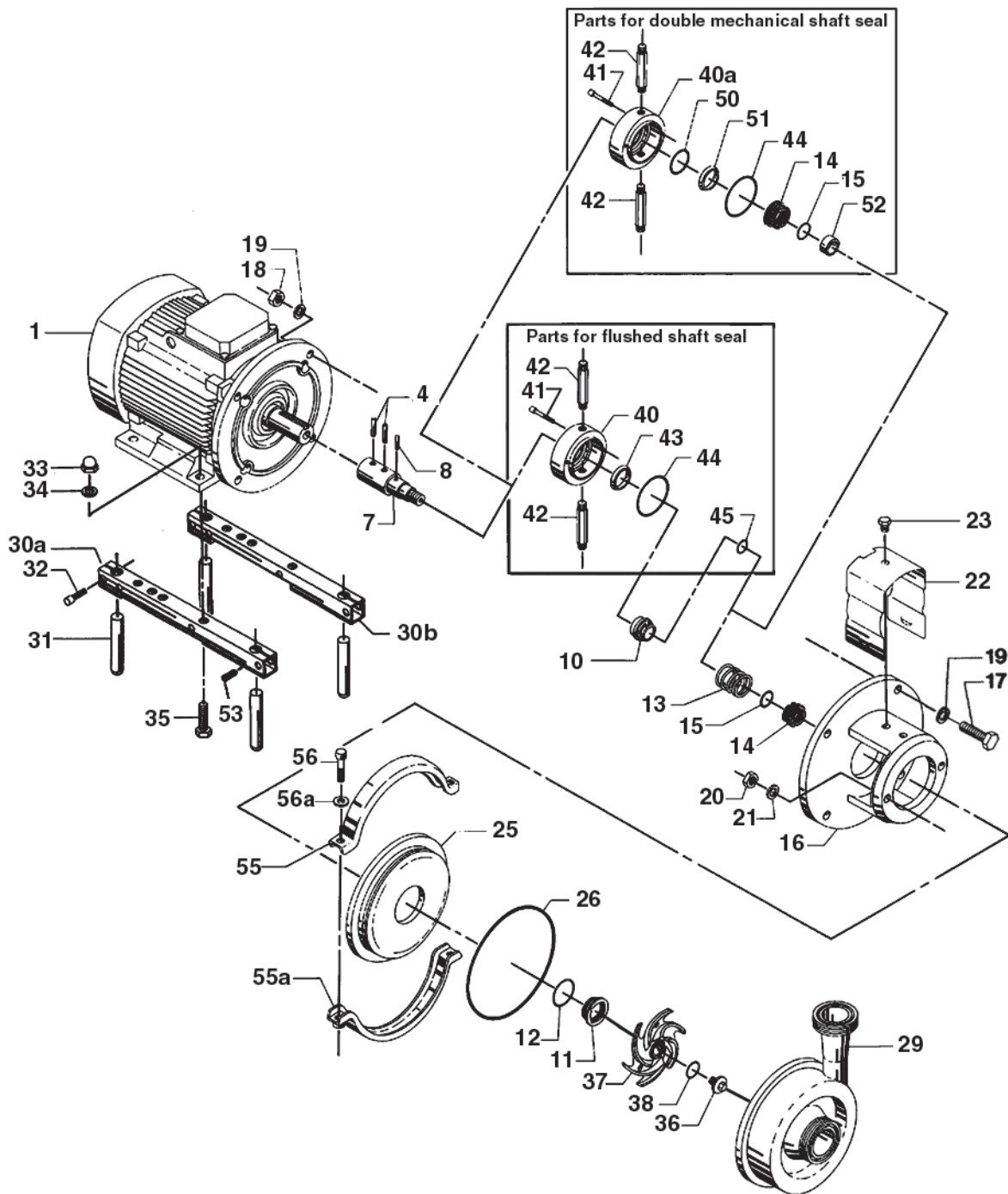


Alfa Laval



Pos.	Qty.	Description	1 Hp Part No.	1.5-2 Hp Part No.	3-5 Hp Part No.
1	1	Motor			
4	2	Screw	9612-5875-03	9612-5875-04	9612-5875-05
7	1	Stub shaft	9612-5953-01	9612-5961-01	9612-5954-01
8	1	Connex pin	9611-99-0622	9611-99-0622	9611-99-0622
10	1	Drive ring - single shaft seal	9612-1377-01	9612-1377-01	9612-1377-01
	1	Drive ring - flushed shaft seal	9612-1397-01	9612-1397-01	9612-1397-01
11→>◆□◇	1	Stationary seal ring, SC	9612-1379-01	9612-1379-01	9612-1379-01
12→>◆□◇	1	Stationary O-ring, EPDM (standard)	9611-99-2149	9611-99-2149	9611-99-2149
	1	Stationary O-ring, FPM	9611-99-2150	9611-99-2150	9611-99-2150
	1	Stationary O-ring, NBR	9611-99-2151	9611-99-2151	9611-99-2151
	1	Stationary O-ring, PTFE	9611-99-2152	9611-99-2152	9611-99-2152
13→>◆□◇	1	Spring	9612-1376-01	9612-1376-01	9612-1376-01
14→>□◇	1	Rotating seal ring, Carbon	9612-13-6401	9612-13-6401	9612-13-6401
	1	Rotating seal ring, SC	9612-13-6402	9612-13-6402	9612-13-6402
◆◇	2	Rotating seal ring, Carbon	9612-13-6401	9612-13-6401	9612-13-6401
	2	Rotating seal ring, SC	9612-13-6402	9612-13-6402	9612-13-6402
15→>□◇	1	Rotating O-ring, EPDM (standard)	9611-99-2145	9611-99-2145	9611-99-2145
	1	Rotating O-ring, FPM	9611-99-2146	9611-99-2146	9611-99-2146
	1	Rotating O-ring, NBR	9611-99-2147	9611-99-2147	9611-99-2147
	1	Rotating O-ring, PTFE	9611-99-2148	9611-99-2148	9611-99-2148
◆◇	2	Rotating O-ring, EPDM (standard)	9611-99-2145	9611-99-2145	9611-99-2145
	2	Rotating O-ring, FPM	9611-99-2146	9611-99-2146	9611-99-2146
	2	Rotating O-ring, NBR	9611-99-2147	9611-99-2147	9611-99-2147
	2	Rotating O-ring, PTFE	9611-99-2148	9611-99-2148	9611-99-2148
16	1	Adaptor	9612-5955-01	9612-1359-42	9612-1359-43
17	4	Screw for adaptor	9611-99-1911	9611-99-1911	9611-99-1911
18	4	Nut for adaptor	9611-99-0353	9611-99-0353	9611-99-0353
19	4	Washer for adaptor	9611-99-1888	9611-99-1888	9611-99-1888
20	2	Nut	9611-99-0260	9611-99-0260	9611-99-0380
21	2	Washer	9611-99-1831	9611-99-1831	9611-99-1831
22	1	Safety gaurd	9612-5939-02	9612-5939-02	9612-5939-06
23	1	Screw for safety gaurd	9611-99-2544	9611-99-2544	9611-99-2544
25	1	Back plate	9612-1384-28	9612-1384-28	9612-1384-28
26□◇	1	Joint ring, EPDM (standard)	9611-99-3560	9611-99-3560	9611-99-3560
	1	Joint ring, NBR	9611-99-3561	9611-99-3561	9611-99-3561
	1	Joint ring, FPM	9611-99-3562	9611-99-3562	9611-99-3562
	1	Joint ring, PTFE/SFY	9611-99-3563	9611-99-3563	9611-99-3563
29	1	Pump casing, GC	9612-1288-14	9612-1288-14	9612-1288-14
30a-35	1	Leg assembly	481654	481656	481661
36	1	Impeller screw	9612-3627-01	9612-3627-01	9612-3627-01
37	1	Impeller for impeller screw	9612587606	9612587606	9612587606
38□◇	1	O-ring, EPDM (standard)	9611-99-2750	9611-99-2750	9611-99-2750
	1	O-ring, NBR	9611-99-2751	9611-99-2751	9611-99-2751
	1	O-ring, FPM	9611-99-2752	9611-99-2752	9611-99-2752
	1	O-ring, PTFE	9611-99-3539	9611-99-3539	9611-99-3539
40a	1	Seal housing - double mechanical	9612-1339-02	9612-1339-02	9612-1339-02
40b	1	Seal housing - flushed	9612-1339-01	9612-1339-01	9612-1339-01
41	2	Screw for seal housing	9611-99-0203	9611-99-0203	9611-99-0203
42	2	Water flush pipe	9612-35-8901	9612-35-8901	9612-35-8901
43>○	1	Lip seal	31446-0088-2	31446-0088-2	31446-0088-2
44>◆○◇	1	O-ring for seal housing	9611-99-2153	9611-99-2153	9611-99-2153
45>○	1	Drive ring O-ring	9611-99-2145	9611-99-2145	9611-99-2145
50◆◇	1	O-ring	9611-99-2156	9611-99-2156	9611-99-2156
51◆◇	1	Sec. stationary seal ring, SC	9612-1383-02	9612-1383-02	9612-1383-02
52◆◇	1	Spacer	9612-3089-01	9612-3089-01	9612-3089-01
55	1	Upper clamp	9612-5895-02	9612-5895-02	9612-5895-02
55a	1	Lower clamp	9612-5896-02	9612-5896-02	9612-5896-02
56	2	Screw	9611-99-1126	9611-99-1126	9611-99-1126
56a	2	Spring washer	9611-99-1888	9611-99-1888	9611-99-1888

Parts marked with →, >, ◆ are included in the seal kits.

Parts marked with →, >, ◆, □, ○, ◇ are included in the service kits.

Recommended Spare Parts: Service kits

Pos.	Qty.	Description	1-40 Hp Part No.
Seal Kit for Single Shaft Seal			
→	1	C/SC seal kit, EPDM	9612-1296-09
→	1	C/SC seal kit, NBR	9612-1296-10
→	1	C/SC seal kit, FPM	9612-1296-11
→	1	SC/SC seal kit, EPDM	9612-1296-05
→	1	SC/SC seal kit, NBR	9612-1296-06
→	1	SC/SC seal kit, FPM	9612-1296-07
Seal Kit for Flushed Shaft Seal			
➤	1	C/SC seal kit, EPDM	9612-1296-25
➤	1	C/SC seal kit, NBR	9612-1296-26
➤	1	C/SC seal kit, FPM	9612-1296-27
➤	1	SC/SC seal kit, EPDM	9612-1296-29
➤	1	SC/SC seal kit, NBR	9612-1296-30
➤	1	SC/SC seal kit, FPM	9612-1296-31
Seal Kit for Double Mechanical Shaft Seal			
□	1	C/SC seal kit, EPDM	9612-12-9613
□	1	C/SC seal kit, NBR	9612-12-9614
□	1	C/SC seal kit, FPM	9612-12-9615
□	1	SC/SC seal kit, EPDM	9612-12-9617
□	1	SC/SC seal kit, NBR	9612-12-9618
□	1	SC/SC seal kit, FPM	9612-12-9619

Parts marked with →, ➤, □ are included in the seal kits.

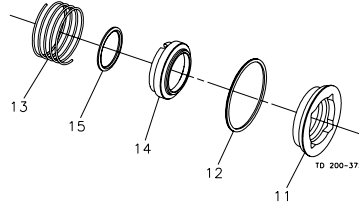
Service Kit for Single Shaft Seal			
□	1	Service kit, EPDM	C/SIC 9611-92-2306 9611-9225-26
□	1	Service kit, NBR	C/SIC 9611-92-2307 9611-9225-27
□	1	Service kit, FPM	C/SIC 9611-92-2308 9611-9225-28
□	1	Service kit, PTFE	C/SIC 9611-92-2309 9611-9225-29
Service Kit for Flushed Shaft Seal			
○	1	Service kit, EPDM	C/SIC 9611-92-2314 9611-9225-34
○	1	Service kit, NBR	C/SIC 9611-92-2315 9611-9225-35
○	1	Service kit, FPM	C/SIC 9611-92-2316 9611-9225-36
○	1	Service kit, PTFE	C/SIC 9611-92-2317 9611-9225-37
Service Kit for Double Mechanical Shaft Seal			
◇	1	Service kit, EPDM	C/SIC 9611-92-2322 9611-9225-42
◇	1	Service kit, NBR	C/SIC 9611-92-2323 9611-9225-43
◇	1	Service kit, FPM	C/SIC 9611-92-2324 9611-9225-44
◇	1	Service kit, PTFE	C/SIC 9611-92-2325 9611-9225-45

Parts marked with →, ➤, □, ○, ◇ are included in the service kits.

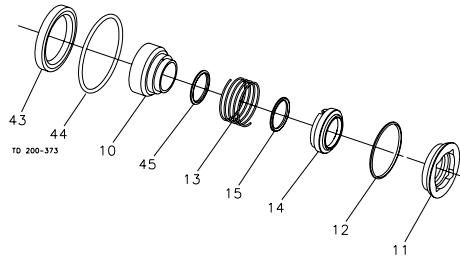
Conversion Kits			
1	1	Single to flushed shaft seal	9611-92-2042
		(The conversion kit contains Pos. 10, 40, 41, 42, 43, 44, 45)	
1	1	Single to double mechanical shaft seal	9611-92-2175
		(The conversion kit contains Pos. 14, 15, 40a, 41, 42, 44, 50, 51, 52)	
1	1	Flushed to double mechanical shaft seal	9611-92-2176
		(The conversion kit contains Pos. 14, 40a, 50, 51, 52)	

Accessories			
1	1	Tool complete	9612-9036-01

Single Shaft Seal



Flushed Shaft Seal



Double Mechanical Shaft Seal

