

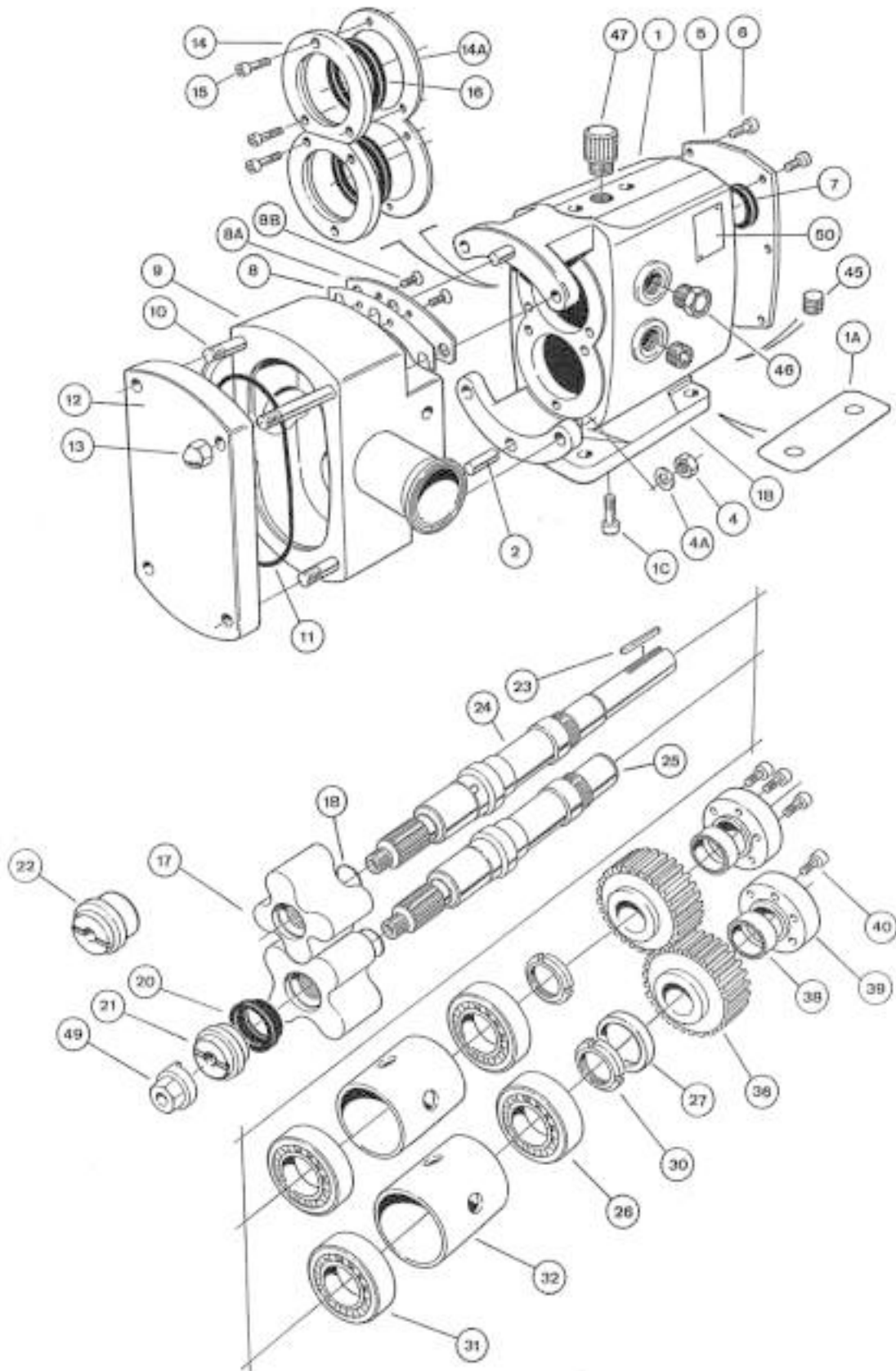
Operating Manual

SX1 Pump Range - Horizontally ported



DRAWING ITEM No.	DESCRIPTION	SX1NLD and SX1WLD				
		QTY	PART No.	ITEM No.	OTHER PUMPS USED ON	
1	Gearcase - universal mounting, non EHEDG approved (designated by U)	1	5220.511	9630070599		
1A	Foot gasket Horizontal ported	1	5198.241	9630070791		
1B	Foot	1	5225.301	9630091472		
1C	Bolt, Foot	2	6000.016	9630074795		
2	Dowel	2	5170.025	5170025	SR1, SX2	
4	Nut, gearcase stud	4	5330.003	5330003	SR1	
4A	Washer, gearcase stud	4	6400.036	6400-036	SR1	
5	Cover, gearcase	1	5120.161	9630070842		
6	Screw, rear cover	6	5990.045	5990045		
7	Lip seal, drive end	1	5310.078	5310078	SR1	
8	Shim	1set	6150.291	9630070818		
8A	Shim retainer	2	6150.281	9630070816		
8B	Shim retainer screws	4	6000.010	9630050533	SR1-6, SX2-7	
9	Rotorcase, Tri-Clamp,	SX1NLD	1	9003.511S	9630080287	
9	Rotorcase, Tri-Clamp,	SX1WLD	1	9004.512S	9630090327	
10	Stud, rotorcase/gearcase	1NLD	4	6350.146	9630074135	
		1WLD	4	6350.093	9630031415	SR1
11	Compression joint, front cover	Viton	1	5381.101	5381-101	
		Silicone		5381.104	9630070719	
		EPDM		5381.105	5381-105	
12	Cover, rotorcase		1	5130.431	5130-431	
13	Dome nut, front cover		4	5340.029	5340-029	SR1
14	Retainer, seal		2	5560.081	9630070802	
14A	Gasket		1	5198.202	9630063085	SR1
15	Screw, front seal carrier		6	5990.045	5990-045	
16	Lip seal, gland end		2	5310.138	5310-138	
17	Rotor	1NLD - 6 bar	2	5780.005F	9630075269	
		1NLD - 12 bar		5780.005M	5780-005M	
		1WLD - 3 bar		5780.007C	9630075271	
		1WLD - 7 bar		5780.007G	9630075272	
18	'O' Ring, rotor sealing shaft end	Viton	2	5380.389	5380-389	
		Silicone		5380.680	9630070311	
		EPDM		5380.391	5380-391	
20	Cup seal, rotor sealing	Viton	2	5382.001	9630070696	
		Silicone		5382.004	9630070698	
		EPDM		5382.005	9630070697	
21	Rotor retention device	1NLD	2	5900.201	5900-201	
22	Rotor retention device	1WLD	2	5900.201	5900-201	
23	Key		1	5270.030	5270-030	SR1
24	Shaft, drive	1NLD	1	6110.740	6110-740	
		1WLD		6110.741	9630070800	
25	Shaft, auxillary	1NLD	1	6100.740	6100-740	
		1WLD	1	6100.741	9630070801	
26	Bearing, rear		2	5080011	5080011	SR1
27	Spacer, shaft abutment		1	5670.061.01	5670061	SR1
30	Nut, Bearing		2	5340.040	5340-040	SR1
31	Bearing, front		2	5080011	5080011	SR1
32	Spacer, shaft		2	5670.100	5670-100	SR1
36	Timing gear		2	5210.079	9630069308	
38	Torque lockng element		2	5615.013	5615-013	SR1
39	Clamp plate		2	5110.039	5110-039	SR1
40	Caphead screws, clamp plate		6	5990044	5990044	SX2
45	Drain plug, oil		2	5470.001	9630024417	SX2-4
46	Sight level, oil		1	5480.001	5480-001	SR1-3, SX2-7
47	Filler plug, oil		1	31491.0052.1	3149100521	SR1-3, SX2-7
49	Rotor retainer removal tool		1	6380.191	6380-191	SX2/3

Horizontally ported pump SX1



Operating Manual

SX1 Pump Range - Vertically ported

DRAWING ITEM No.	DESCRIPTION	SX1NLD and SX1WLD			
		QTY	PART No.	ITEM No.	OTHER PUMPS USED ON
1	Gearcase - universal mounting, non EHEDG approved (designated by U)	1	5220.511	9630070599	
1A	Foot gasket vertical ported	1	5198.241	9630070791	
1B	Foot	1	5225.301	9630091472	
1C	Bolt, Foot	2	6000.016	9630074795	
2	Dowel	2	5170.025	5170025	SR1, SX2
4	Nut, gearcase stud	4	5330.003	5330003	SR1
4A	Washer, gearcase stud	4	6400.036	6400-036	SR1
5	Cover, gearcase	1	5120.161	9630070842	
6	Screw, rear cover	6	5990.045	5990045	
7	Lip seal, drive end	1	5310.078	5310078	SR1
8	Shim	1set	6150.291	9630070818	
8A	Shim retainer	2	6150.281	9630070816	
8B	Shim retainer screws	4	6000.010	9630050533	SR1-6, SX2-7
9	Rotorcase, Tri-Clamp,				
			SX1NLD	9003.511S	9630080287
9	Rotorcase, Tri-Clamp,				
			SX1WLD	9003.512S	9630090327
10	Stud, rotorcase/gearcase				
			1NLD	6350.146	9630074135
			1WLD	6350.093	9630031415
11	Compression joint, front cover				
			Viton	5381.101	5381-101
			Silicone	5381.104	9630070719
			EPDM	5381.105	5381-105
12	Cover, rotorcase	1	5130.431	5130-431	
13	Dome nut, front cover	4	5340.029	5340-029	SR1
14	Retainer, seal	2	5560.081	9630070802	
14A	Gasket	1	5198.202	9630063085	SR1
15	Screw, front seal carrier	6	5990.045	5990-045	
16	Lip seal, gland end	2	5310.138	5310-138	
17	Rotor				
			1NLD - 6 bar	5780.005F	9630075269
			1NLD - 12 bar	5780.005M	5780-005M
			1WLD - 3 bar	5780.007C	9630075271
			1WLD - 7 bar	5780.007G	9630075272
18	'O' Ring, rotor sealing shaft end				
			Viton	5380.389	5380-389
			Silicone	5380.680	9630070311
			EPDM	5380.391	5380-391
20	Cup seal, rotor sealing				
			Viton	5382.001	9630070696
			Silicone	5382.004	9630070698
			EPDM	5382.005	9630070697
21	Rotor retention device	2	5900.201	5900-201	
22	Rotor retention device	2	5900.201	5900-201	
23	Key	1	5270.030	5270-030	SR1
24	Shaft, drive				
			1NLD	6110.740	6110-740
			1WLD	6110.741	9630070800
25	Shaft, auxillary				
			1NLD	6100.740	6100-740
			1WLD	6100.741	9630070801
26	Bearing, rear	2	5080011	5080011	SR1
27	Spacer, shaft abutment	1	5670.061.01	5670061	SR1
30	Nut, Bearing	2	5340.040	5340-040	SR1
31	Bearing, front	2	5080001	5080011	SR1
32	Spacer, shaft	2	5670.100	5670-100	SR1
36	Timing gear	2	5210.079	9630069308	
38	Torque lockng element	2	5615.013	5615-013	SR1
39	Clamp plate	2	5110.039	5110-039	SR1
40	Caphead screws, clamp plate	6	5990044	5990044	SX2
45	Drain plug, oil	2	5470.001	9630024417	SX2-4
46	Sight level, oil	1	5480.001	5480-001	SR1-3, SX2-7
47	Filler plug, oil	1	31491.0052.1	3149100521	SR1-3, SX2-7
49	Rotor retainer removal tool	1	6380.191	6380-191	SX2/3

Vertically ported pump SX1

