

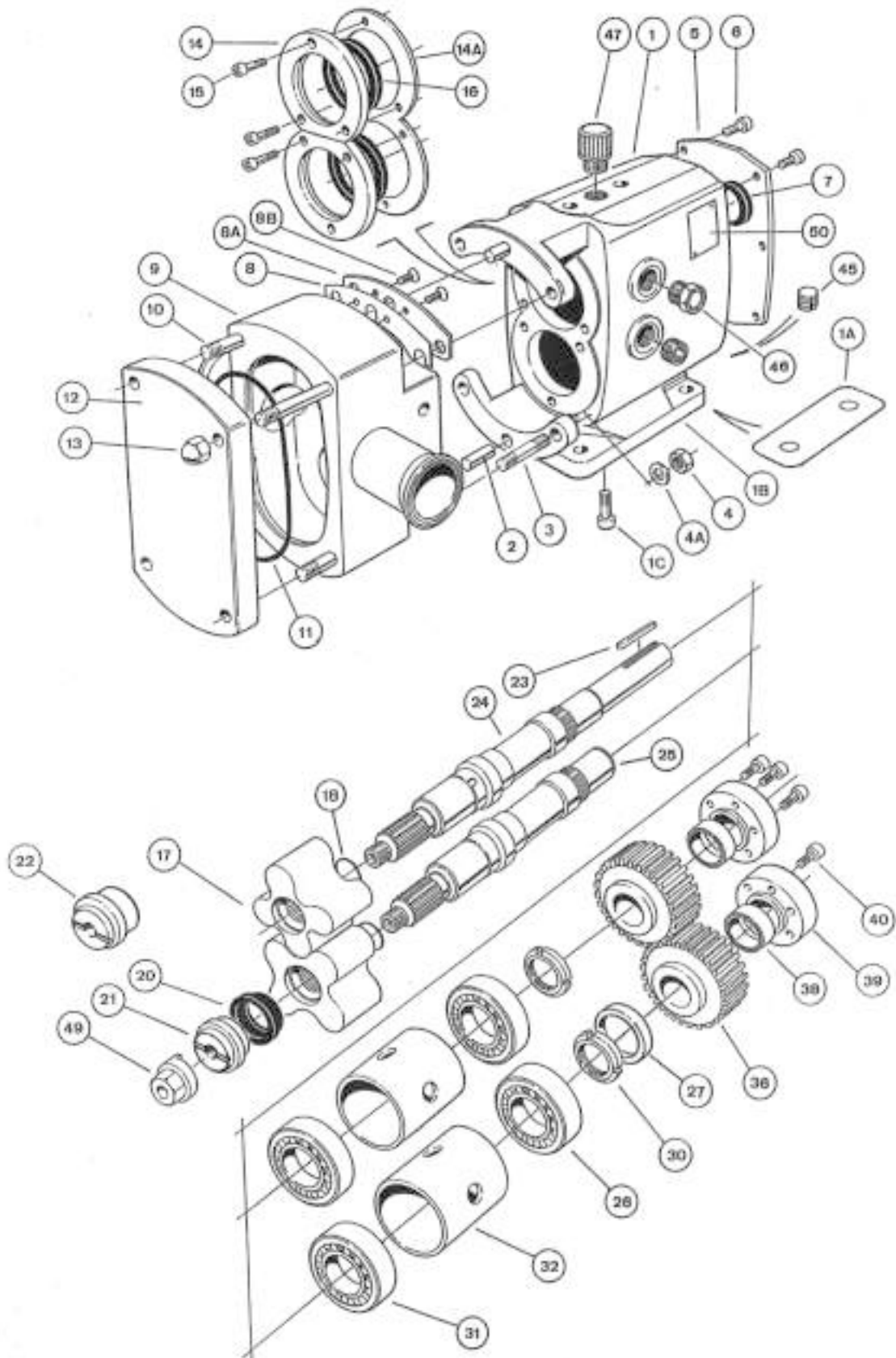
Operating Manual

SX3 Pump Range - Horizontally ported



DRAWING ITEM No.	DESCRIPTION	SX3NLD and SX3WLD			
		QTY	PART No.	ITEM No.	OTHER PUMPS USED ON
1	Gearcase - universal mounting, non EHEDG approved (designated by U)	1	5220.513	9630070600	
1A	Foot gasket	1	5198.233	9630071281	
1B	Foot	1	5225.303	5225-303	
1C	Bolt, Foot	2	6000.014	9630074776	
2	Dowel	2	5170.010	5170-010	SR3-5, SX5
3	Stud, gearcase	4	6350.137	6350-137	SR3
4	Nut, gearcase stud	4	5330.000	5330-000	SR2/3, SX2
4A	Washer, gearcase stud	4	6400.037	6400-037	SR2/3, SX2
5	Cover, gearcase	1	5120.163	9630070039	
6	Screw, rear cover	6	5990.052	5990-052	SX2
7	Lip seal, drive end	1	5310.080	5310080	SR3
8	Shim	1set	6150.293	6150-293	
8A	Shim retainer	2	6150.283	9630070171	
8B	Shim retainer screws	4	6000.010	9630050533	SR1-6, SX1/2/4-7
9	Rotorcase, Tri-Clamp,	1	9007.512S	9007-512S	
9	Rotorcase, Tri-Clamp,	1	9008.513S	9008.513S	
10	Stud, rotorcase	8	6350.095	6350-095	SR3
11	Compression joint, front cover	1	5381.301	5381-301	
			Viton		
			Silicone	9630069223	
			EPDM	5381.305	5381-305
12	Cover, rotorcase	1	5130.433	5130-433	
13	Dome nut, front cover	8	5340.047	5340047	SR2-5, SX2/4-5
14	Retainer, seal	2	5560.032	5560-032	SR3
14A	Gasket	1	5198.204	5198-204	SR3
15	Screw, front seal carrier	6	5990.052	5990-052	SX2
16	Lip seal, gland end	2	5310.072	5310072	SR3
17	Rotor	2	5780.027E	9630075192	
			3NLD-10 bar	5780.027K	9630075193
			3NLD-15 bar	5780.027R	5780-027R
			3WLD-3 bar	5780.035C	9630075190
			3WLD - 7 bar	5780.035G	5780-035G
18	'O' Ring, rotor sealing shaft end	2	883151020	8831551020	SX4
			Viton	1554.018	9630067335
			Silicone	1555.018	8831555020
			EPDM		8831555020
20	Cup seal, rotor sealing	2	5382.201	9630096430	
			Viton	5382.204	9630069428
			Silicone	5382.205	9630069425
			EPDM		
21	Rotor retention device	2	5900.203	5900-203	
22	Rotor retention device	2	5900.213	5900-213	
23	Key	1	5270.013	52700013	SR3
24	Shaft, drive	1	6110.743	6110-743	
25	Shaft, auxillary	1	6100.743	6100-743	
26	Bearing, rear	2	5080.013	5080013	SR3
27	Spacer, shaft abutment	1	5670.163.01	5670-163-01	SR3
30	Nut, Bearing	2	5340.042	5340042	SR3
31	Bearing, front	2	5080013	5080013	SR3
32	Spacer, shaft	2	5670.058	5670-058	SR3
36	Timing gear	2	5210.038	5210038	SR3
38	Torque lockng element	4	5615.016	5615016	SR3
39	Clamp plate	2	5110.041	5110041	SR3
40	Caphead screws, clamp plate	12	5990007	5990007	
45	Drain plug, oil	2	5470.001	9630024417	SX1/2/4
46	Sight level, oil	1	5480.001	5480-001	SR1-3, SX1/2/4-7
47	Filler plug, oil	1	31491.0052.1	31491-0052-1	SR1-3, SX1/2/4-7
49	Rotor retainer removal tool	1	6380.191	6380-191	SX1/2

Horizontally ported pump SX3



Operating Manual

SX3 Pump Range - Vertically ported

DRAWING ITEM No.	DESCRIPTION	SX3NLD and SX3WLD				
		QTY	PART No.	ITEM No.	OTHER PUMPS USED ON	
1	Gearcase - universal mounting, non EHEDG approved (designated by U)	1	5220.513	9630070600		
1	Gearcase - dedicated vertically ported, EHEDG approved (designated by H)	1	5220.523	9630070605		
1A	Foot gasket	1	5198.233	9630071280		
1B	Foot	1	5225.403	5225-403		
1C	Bolt, Foot	2	6000.014	9630074776		
2	Dowel	2	5170.010	5170-010		
3	Stud, gearcase	4	6350.137	6350-137		
4	Nut, gearcase stud	4	5330.000	5330-000	SR3-5, SX5	
4A	Washer, gearcase stud	4	6400.037	6400-037	SR3	
5	Cover, gearcase	1	5120.163	9630070039	SR2/3, SX2	
6	Screw, rear cover	6	5990.052	5990-052	SX2	
7	Lip seal, drive end	1	5310.080	5310080		
8	Shim	1set	6150.293	6150-293	SX1/2	
8A	Shim retainer	2	6150.283	9630070171	SR3	
8B	Shim retainer screws	4	6000.010	9630050533		
9	Rotorcase, Tri-Clamp,	SX3NLD	1	9007.512S	9007-512S	
9	Rotorcase, Tri-Clamp,	SX3WLD	1	9008.513S	9008.513S	
10	Stud, rotorcase		8	6350.095	6350-095	SR1-6, SX1/2/4-7
11	Compression joint, front cover	Viton	1	5381.301	5381-301	
		Silicone		5381.304	9630069223	SR3
		EPDM		5381.305	5381-305	
12	Cover, rotorcase		1	5130.433	5130-433	
13	Dome nut, front cover		8	5340.047	5340047	SR2-5, SX2/4-5
14	Retainer, seal		2	5560.032	5560-032	SR3
14A	Gasket		1	5198.204	5198-204	SR3
15	Screw, front seal carrier		6	5990.052	5990-052	SX2
16	Lip seal, gland end		2	5310.072	5310072	SR3
17	Rotor	3NLD-5 bar	2	5780.027E	9630075192	
		3NLD-10 bar		5780.027K	9630075193	
		3NLD-15 bar		5780.027R	5780-027R	
		3WLD-3 bar		5780.035C	9630075190	
		3WLD - 7 bar		5780.035G	5780-035G	
18	'O' Ring, rotor sealing shaft end	Viton	2	883155020	8831551020	SX4
		Silicone		1554.018	9630067335	SX4
		EPDM		8831555020	8831555020	SX4
20	Cup seal, rotor sealing	Viton	2	5382.201	9630096430	
		Silicone		5382.204	9630069428	
		EPDM		5382.205	9630069425	
21	Rotor retention device	3NLD	2	5900.203	5900-203	
22	Rotor retention device	3WLD	2	5900.213	5900-213	
23	Key		1	5270.013	52700013	SR3
24	Shaft, drive		1	6110.743	6110-743	
25	Shaft, auxillary		1	6100.743	6100-743	
26	Bearing, rear		2	5080.013	5080013	SR3
27	Spacer, shaft abutment		1	5670.163.01	5670-163-01	SR3
30	Nut, Bearing		2	5340.042	5340042	SR3
31	Bearing, front		2	5080013	5080013	SR3
32	Spacer, shaft		2	5670.058	5670-058	SR3
36	Timing gear		2	5210.038	5210038	SR3
38	Torque lockng element		4	5615.016	5615016	SR3
39	Clamp plate		2	5110.041	5110041	SR3
40	Caphead screws, clamp plate		12	5990007	5990007	
45	Drain plug, oil		2	5470.001	9630024417	SX1/2/4
46	Sight level, oil		1	5480.001	5480-001	SR1-3, SX1/2/4-7
47	Filler plug, oil		1	31491.0052.1	31491-0052-1	SR1-3, SX1/2/4-7
49	Rotor retainer removal tool		1	6380.191	6380-191	SX1/2

Vertically ported pump SX3

