

The drawing and the parts list include all items.

Pos.	Qty.	Denomination	Full speed 3600rpm					
			10Hp	15-20Hp	25-30Hp			
7	1	Shaft	9612-9139-01	9612-9140-01	9612-9140-01			
10	1	Drive ring, Single shaft seal	9612-1377-01	9612-1377-01	9612-1377-01			
	1	Drive ring, Flushed shaft seal	9612-9268-01	9612-9268-01	9612-9268-01			
16	1	Adaptor	9612-9164-01	9612-9164-01	9612-9164-01			
17	4	Screw for motorflange	9611-99-4413	9611-99-4414	9611-99-4414			
20	4	Nut for backplate	9611-99-0353	9611-99-0353	9611-99-0353			
21	4	Washer for backplate	9611-99-0786	9611-99-0786	9611-99-0786			
22	2	Safety guard	9612-9153-01	9612-9153-01	9612-9153-01			
25	1	Backplate	9612-9114-12	9612-9114-12	9612-9114-12			
26	1	O-ring for casing, EPDM	9611-99-4253	9611-99-4253	9611-99-4253			
		(standard)						
	1	O-ring for casing, NBR	9611-99-4254	9611-99-4254	9611-99-4254			
	1	O-ring for casing, FPM	9611-99-4255	9611-99-4255	9611-99-4255			
	1	O-ring for casing, FEP	9611-99-4256	9611-99-4256	9611-99-4256			
29	1	Pump casing, Tri-clamp	9612-9102-04	9612-9102-04	9612-9101-22			
36	1	Impeller screw	9612-3627-01	9612-3627-01	9612-3627-01			
37	1	Impeller	9612-9124-02	9612-9124-02	9612-9124-02			
38	1	O-ring for impeller screw, EPDM	9611-99-2750	9611-99-2750	9611-99-2750			
		(standard)						
	1	O-ring for impeller screw, NBR	9611-99-2751	9611-99-2751	9611-99-2751			
	1	O-ring for impeller screw, FPM	9611-99-2752	9611-99-2752	9611-99-2752			
	1	O-ring for impeller screw, FEP	9611-99-3539	9611-99-3539	9611-99-3539			
55	1	Clamp set	9612-9154-08	9612-9154-08	9612-9154-08			
60	1	Comp. Ring	9612-9142-05	9612-9144-01	9612-9144-01			
61	4	Screw for comp. Ring	9611-99-4259	9611-99-4259	9611-99-4259			
64	1	Motor flange	9612-9160-07	9612-9160-08	9612-9160-09			
65	4	Screw for adaptor	9611-99-4399	9611-99-4399	9611-99-4399			
66	4	Spring washer for adaptor	9611-99-1888	9611-99-1888	9611-99-1888			
71	4	Spring washer for motorflange	9611-99-4417	9611-99-4417	9611-99-4417			
legs								
70	2	Bracket set stainless steel	481663	481665	481669			
		Bracket set carbon steel	481662	481664	481668			
Pos.	Qty.	Denomination	10Hp	15Hp	20Hp	25Hp	30Hp	
1	1	Motor 3600rpm	9613-6016-28	9613-6016-29	9613-6016-30	9613-6016-31	9613-6016-32	
Pos.	Qty.	Denomination	1.5Hp	2Hp	3Hp	5Hp	7.5Hp	10Hp
1	1	Motor 1800rpm	9613-6016-88	9613-6016-89	9613-6016-90	9613-6016-91	9613-6016-92	9613-6016-93
3/60/208/230-460 - Standard								

Accessories

1	Tool for seal	9612-9036-01
1	Impeller gauge	9613-6016-80

Parts for Flushed Shaft Seal

40	1	Seal housing	9612-1339-01
42	2	Tube	9612-3589-15
41	2	Screw for seal housing	9611-99-0203

Service kit for single shaft seal

<input type="checkbox"/>	Service kit, EPDM	9611-92-2503
<input type="checkbox"/>	Service kit, NBR	9611-92-2504
<input type="checkbox"/>	Service kit, FPM	9611-92-2505
<input type="checkbox"/>	Service kit, FEP	9611-92-2506

Service kit for flushed shaft seal

<input type="checkbox"/>	Service kit, EPDM	9611-92-2511
<input type="checkbox"/>	Service kit, NBR	9611-92-2512
<input type="checkbox"/>	Service kit, FPM	9611-92-2513
<input type="checkbox"/>	Service kit, FEP	9611-92-2514

Service kit SIC/SIC for single shaft seal

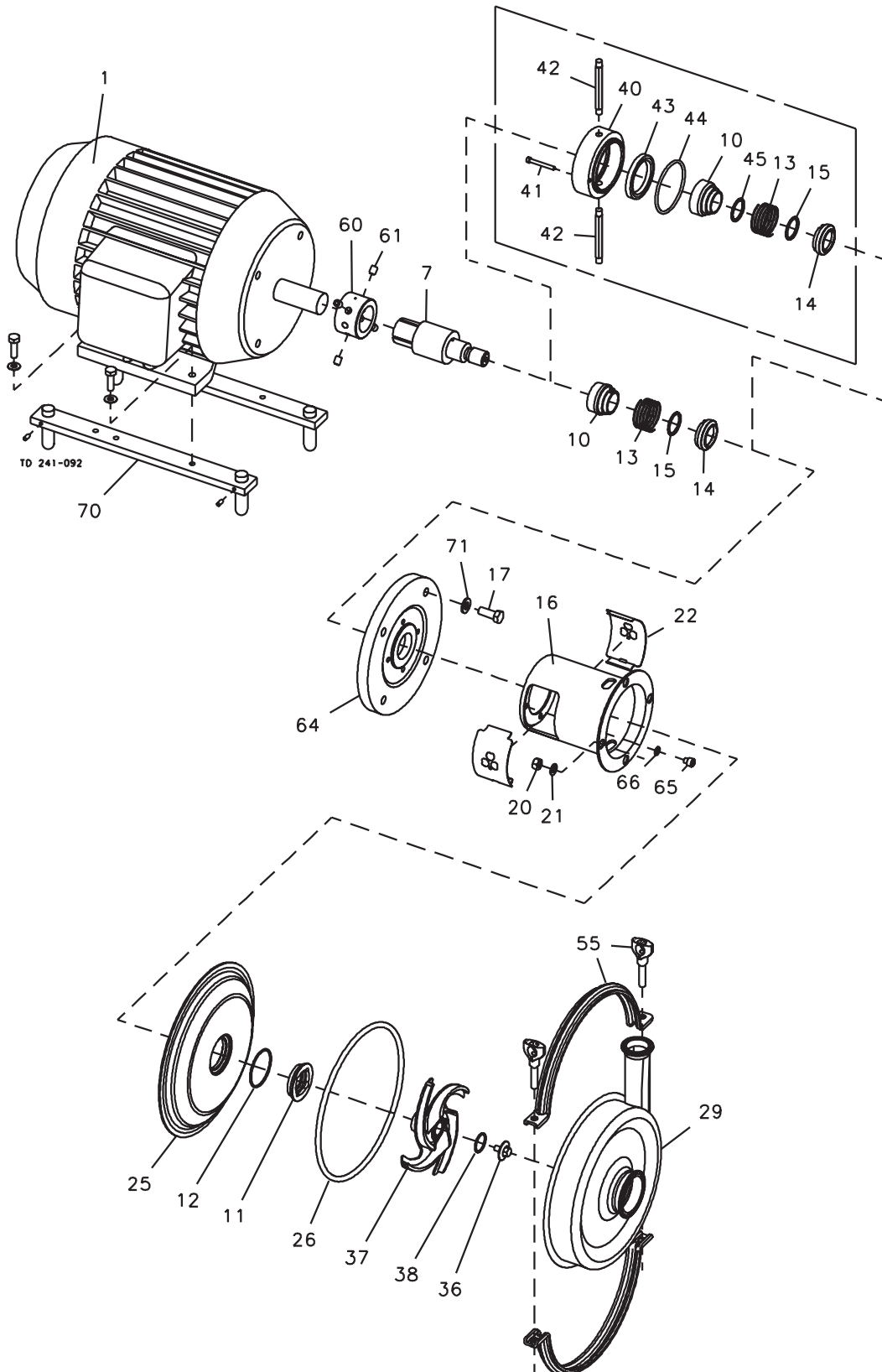
<input type="checkbox"/>	Service kit, EPDM	9611-92-2835
<input type="checkbox"/>	Service kit, NBR	9611-92-2836
<input type="checkbox"/>	Service kit, FPM	9611-92-2837
<input type="checkbox"/>	Service kit, FEP	9611-92-2838

Service kit SIC/SIC for flushed shaft seal

<input type="checkbox"/>	Service kit, EPDM	9611-92-2839
<input type="checkbox"/>	Service kit, NBR	9611-92-2840
<input type="checkbox"/>	Service kit, FPM	9611-92-2841
<input type="checkbox"/>	Service kit, FEP	9611-92-2842

Recommended Spare parts: Service kits Shaft seal: See page 9-10.
 Conversion kit, single to flushed shaft seal 9611-92-2469=10+40+41+42+43+44+45
 Parts marked with / are included in the service kits.

*This page shows an exploded drawing of SolidC-4.
The drawing includes all items of the pump.*



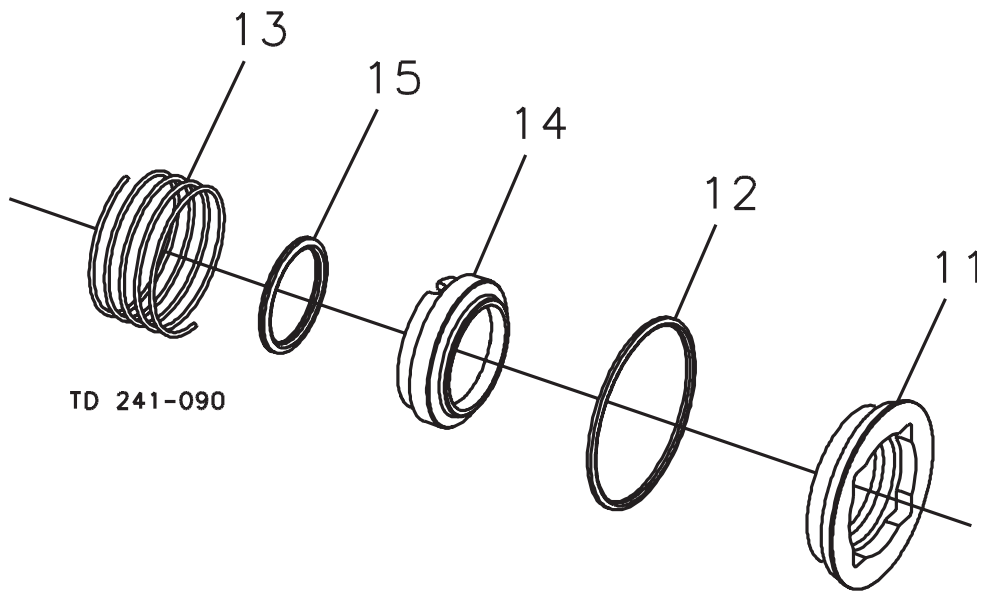
The drawing and the parts list include all items.

Pos.	Qty.	Denomination	1.5-30Hp
Single shaft seal			
□Complete shaft seal, EPDM (standard) 9612-1296-09			
11	1	Stationary seal ring, SiC	9612-1379-01
12	1	O-ring, EPDM	9611-99-2149
13	1	Spring	9612-1376-01
14	1	Rotating seal ring, Carbon	9612-1364-01
15	1	O-ring, EPDM	9611-99-2145
□Complete shaft seal , NBR 9612-1296-10			
11	1	Stationary seal ring, SiC	9612-1379-01
12	1	O-ring, NBR.....	9611-99-2151
13	1	Spring	9612-1376-01
14	1	Rotating seal ring, Carbon	9612-1364-01
15	1	O-ring, NBR.....	9611-99-2147
□Complete shaft seal , FPM 9612-1296-11			
11	1	Stationary seal ring, SiC	9612-1379-01
12	1	O-ring, FPM.....	9611-99-2150
13	1	Spring	9612-1376-01
14	1	Rotating seal ring, Carbon	9612-1364-01
15	1	O-ring, FPM.....	9611-99-2146
□Complete shaft seal , FEP 9612-1296-12			
11	1	Stationary seal ring, SiC	9612-1379-01
12	1	O-ring, FEP	9611-99-2152
13	1	Spring	9612-1376-01
14	1	Rotating seal ring, Carbon	9612-1364-01
15	1	O-ring, FEP	9611-99-2148
Alternatives for single shaft seal			
Complete shaft seal, EPDM (standard) 9612-1296-05			
11	1	Stationary seal ring, SiC	9612-1379-01
12	1	O-ring, EPDM	9611-99-2149
13	1	Spring	9612-1376-01
14	1	Rotating seal ring, SiC.....	9612-1364-02
15	1	O-ring, EPDM	9611-99-2145
Complete shaft seal , NBR 9612-1296-06			
11	1	Stationary seal ring, SiC	9612-1379-01
12	1	O-ring, NBR.....	9611-99-2151
13	1	Spring	9612-1376-01
14	1	Rotating seal ring, SiC.....	9612-1364-02
15	1	O-ring, NBR.....	9611-99-2147
Complete shaft seal , FPM 9612-1296-07			
11	1	Stationary seal ring, SiC	9612-1379-01
12	1	O-ring, FPM.....	9611-99-2150
13	1	Spring	9612-1376-01
14	1	Rotating seal ring, SiC.....	9612-1364-02
15	1	O-ring, FPM.....	9611-99-2146
Complete shaft seal , FEP 9612-1296-08			
11	1	Stationary seal ring, SiC	9612-1379-01
12	1	O-ring, FEP	9611-99-2152
13	1	Spring	9612-1376-01
14	1	Rotating seal ring, SiC.....	9612-1364-02
15	1	O-ring, FEP	9611-99-2148

Pos.	Qty.	Denomination	1.5-30Hp
Flushed shaft seal			
○Complete shaft seal , EPDM (standard) 9612-9193-01			
11	1	Stationary seal ring, SiC	9612-1379-01
12	1	O-ring, EPDM	9611-99-2149
13	1	Spring	9612-1376-01
14	1	Rotating seal ring, Carbon	9612-1364-01
15	1	O-ring, EPDM	9611-99-2145
44	1	O-ring for seal housing EPDM	9611-99-2153
45	1	O-ring for drive ring	9611-99-2145
43	1	Lip seal	9611-99-3587
○Complete shaft seal , NBR 9612-9193-02			
11	1	Stationary seal ring, SiC	9612-1379-01
12	1	O-ring, NBR.....	9611-99-2151
13	1	Spring	9612-1376-01
14	1	Rotating seal ring, Carbon	9612-1364-01
15	1	O-ring, NBR.....	9611-99-2147
44	1	O-ring for seal housing EPDM	9611-99-2153
45	1	O-ring for drive ring	9611-99-2145
43	1	Lip seal	9611-99-3587
○Complete shaft seal , FPM 9612-9193-03			
11	1	Stationary seal ring, SiC	9612-1379-01
12	1	O-ring, FPM.....	9611-99-2150
13	1	Spring	9612-1376-01
14	1	Rotating seal ring, Carbon	9612-1364-01
15	1	O-ring, FPM.....	9611-99-2146
44	1	O-ring for seal housing EPDM	9611-99-2153
45	1	O-ring for drive ring	9611-99-2145
43	1	Lip seal	9611-99-3587
○Complete shaft seal , FEP 9612-9193-04			
11	1	Stationary seal ring, SiC	9612-1379-01
12	1	O-ring, FEP	9611-99-2152
13	1	Spring	9612-1376-01
14	1	Rotating seal ring, Carbon	9612-1364-01
15	1	O-ring, FEP	9611-99-2148
44	1	O-ring for seal housing EPDM	9611-99-2153
45	1	O-ring for drive ring	9611-99-2145
43	1	Lip seal	9611-99-3587
Alternatives for flushed shaft seal			
Complete shaft seal , EPDM 9612-9193-05			
11	1	Stationary seal ring, SiC	9612-1379-01
12	1	O-ring, EPDM	9611-99-2149
13	1	Spring	9612-1376-01
14	1	Rotating seal ring, SiC.....	9612-1364-02
15	1	O-ring, EPDM	9611-99-2145
44	1	O-ring for seal housing EPDM	9611-99-2153
45	1	O-ring for drive ring	9611-99-2145
43	1	Lip seal	9611-99-3587
Complete shaft seal , NBR 9612-9193-06			
11	1	Stationary seal ring, SiC	9612-1379-01
12	1	O-ring, NBR.....	9611-99-2151
13	1	Spring	9612-1376-01
14	1	Rotating seal ring, SiC.....	9612-1364-02
15	1	O-ring, NBR.....	9611-99-2147
44	1	O-ring for seal housing EPDM	9611-99-2153
45	1	O-ring for drive ring	9611-99-2145
43	1	Lip seal	9611-99-3587
Complete shaft seal , FPM 9612-9193-07			
11	1	Stationary seal ring, SiC	9612-1379-01
12	1	O-ring, FPM.....	9611-99-2150
13	1	Spring	9612-1376-01
14	1	Rotating seal ring, SiC.....	9612-1364-02
15	1	O-ring, FPM.....	9611-99-2146
44	1	O-ring for seal housing EPDM	9611-99-2153

*This page shows an exploded drawing of SolidC shaft seals.
The drawing includes all items of the seals.*

Single Shaft Seal



Flushed Shaft Seal

