

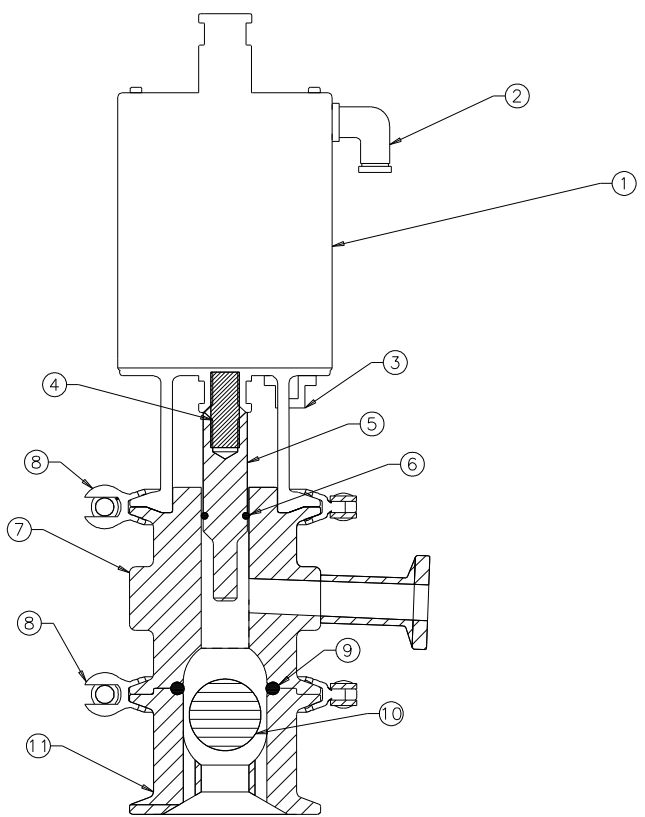
Only to the extent expressly agreed by us this document may constitute a contractual obligation on our part.

This document and its contents are our exclusive property and must not be copied, reproduced, transmitted or communicated to any other party or used for purposes not expressly permitted by us.

Drawing No.

CAD drawing

Revision No.	Date	Revised	Checked	Appr.



1	11	9634-0834-01	BASE		
1	10	9634-0830-01	BALL		
1	9	751957	ORING		
2	8	9612-9393-08	CLAMP		
1	7	9634-0833-01	BODY		
1	6	9634-0832-01	ORING		
1	5	9634-0831-01	STEM		
1	4	9634-0835-01	STUD		
1	3	9613-4141-01	PLUG		
1	2	9611-99-3780	AIR FITTING		
1	1	9612-9404-01	ACTUATOR		

Qty.	Item	Article No.	Name/Designation	Material (final condition) Blank	Pattern No./Note

Assembly No.	Title		Scale		Dept.	Date
	VACUUM BREAKER VALVE ASSEMBLY		Edges broken to 0,4x45° or R0,5 Burr removed		QDA	122909
	Special requirements		THIRD ANGLE PROJECTION		Drawn	Checked
					CKT	TLG
				Std. checked	Prod. checked	Appr.
						Class No.

Alfa Laval
KENOSHA, WI

Complementary document No.

Drawing No.

96340829