



Customized Solutions

Valve Manifold

General Information

As part of our valve program we also offer the service to supply pre-manufactured valve manifolds based upon specific customer requirements.

Application

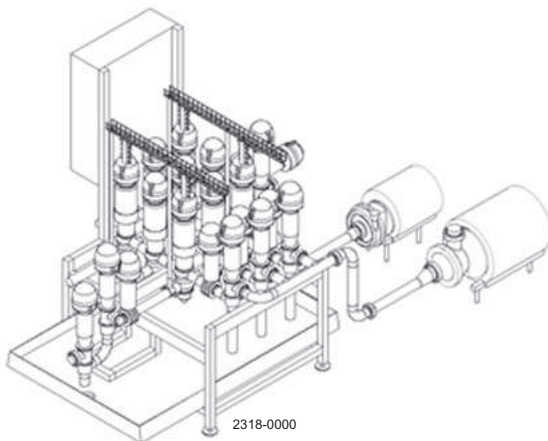
Valve manifolds are widely used within the dairy, food, beverage and brewery industries and provides easy on site installation and connection to pipe connections.

Standard Design

- Orbital Welding wherever possible.
- All external pipe ends have welding ends. TriClamp optional
- Product wetted parts are AISI 316L/EPDM.
- Adjustable ball feet with 2.5" of adjustment.
- Valves welded directly together wherever possible.
- Access allowed for in the design to enable service access.
- Frame supplied with #4 finish and drip pans

Options

- Connections welded on to the external pipe ends.
- Polished surfaces
- Service aisles on larger manifolds
- Internal air distribution.
- Internal wiring and junction box.
- Special frame design etc.
- Dummy bodies for future expansion.





Alfa Laval reserves the right to change specifications without prior notification. ALFA LAVAL is a trademark registered and owned by Alfa Laval

ESE00780ESE02492ENUS 1505 Corporate AB.

© Alfa Laval

How to contact Alfa Laval

Contact details for all countries are continually updated on our website. Please visit www.alfalaval.us to access the information direct.