



CHICAGO STAINLESS EQUIPMENT



SANI-FLOW

HOMOGENIZER PRESSURE GAUGES



Quality Products Since 1937
www.chicagostainless.com



Member of:
fisa
Distributors Serving
Sanitary Processing





SANI-FLOW

5" HOMOGENIZER PRESSURE GAUGES

More than 40 years of experience in designing and building sanitary pressure gauges has gone into engineering an exceptional gauge designed specifically for homogenizer applications. The Sani-Flow Homogenizer Pressure Gauge is built to withstand environments from food processing to pharmaceutical plants, and function for many years with little or no maintenance. Our dedication to quality is not only evident in our products, but also in our customer service. We offer immediate availability on all products and respond quickly with quality service at reasonable prices.

FEATURES

316L Stainless Steel Wetted Surfaces to assure maximum corrosion resistance.

304 Stainless Steel Case for durability even in the harshest environments.

Lexan® Lens is virtually impervious to cracks and breakage.

Unique Pulsation Dampening System to insulate the gauge movement from punishing pulsations of a homogenizer machine which shorten the life of an ordinary pressure gauge.

Ranges available up to 15,000 psi.

Glycerine Fill is standard to protect the gear mechanism against wear and vibration.

Waterproof Construction throughout to allow gauge to be submersed for cleaning.

C.I.P. - can be cleaned in place for convenience and to eliminate the possibility of damage from mishandling.

250°F Maximum process temperatures (121°C).*

Immediate Availability from stock for all pressure gauges.

True Zero with Re-Zero Feature is standard on all gauges.

SPECIFICATIONS

Accuracy	± 1% of Full Scale
Over Range Capability	25%
Wetted Surfaces	316L Stainless Steel
Surface Finish (wetted parts)	R _a max = 25 microinches
Case Material	304 Stainless Steel
Dial Size	5" Diameter (120mm)
Lens Material	Lexan® (Polycarbonate)
Temp. Limits	0°F (-18°C) to 250°F (121°C)*
Standard Fill	Food Grade Glycerine
Rezero Feature	Standard on Pointer
Shipping Weight	Approx. 7 lbs. (3.2kg)

*For higher temperature applications please consult factory.

Lexan® is a registered trademark of General Electric.

AVAILABLE RANGES (psi)

0-1,000 psi 0-5,000 psi 0-10,000 psi
0-2,500 psi 0-7,500 psi 0-15,000 psi
0-3,000 psi

Standard scales are in PSI only, dual PSI/BAR and other scales available upon request.

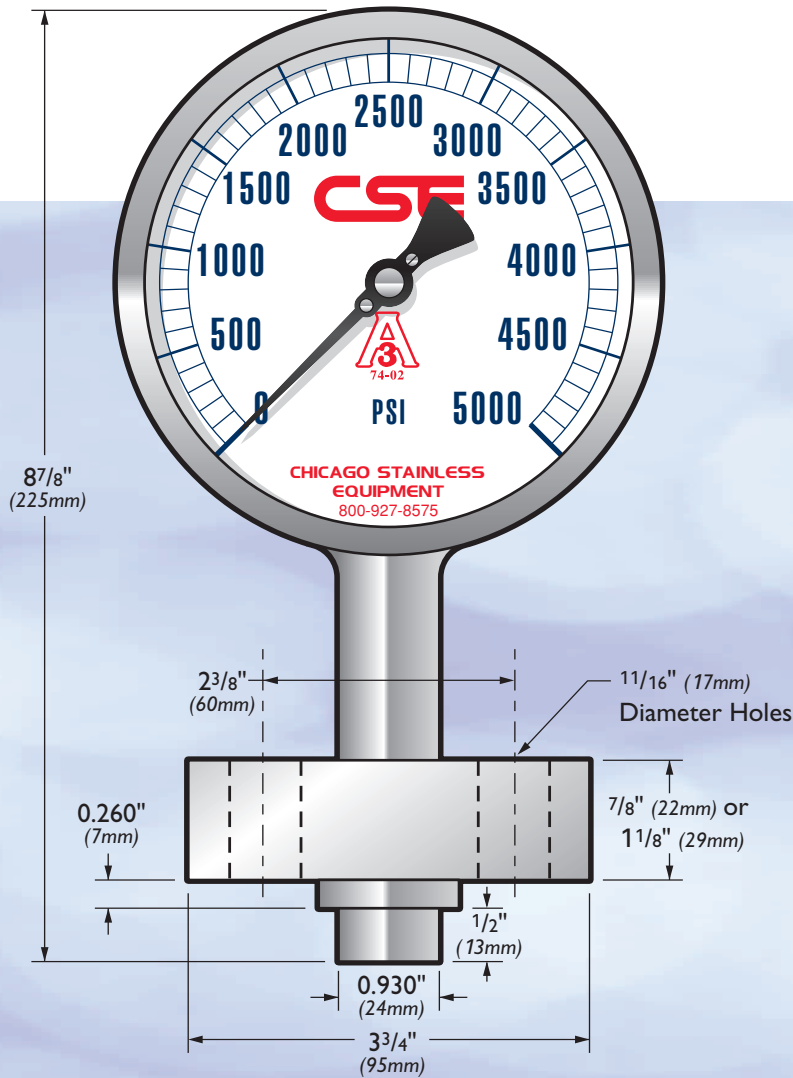
AVAILABLE FLANGES

7/8" Thick 2 Bolt Flange, 1 1/8" Thick 2 Bolt Flange, Waukesha 1/2" Thick 4 Bolt Flange, Waukesha 3/4" Thick 4 Bolt Flange, 1.66" Thick Laboratory Homogenizer Flange
Also available without flange.

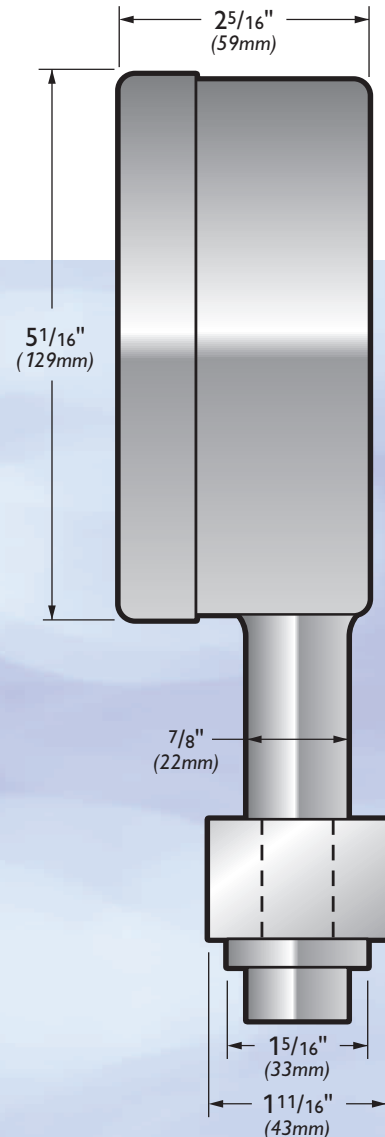


FRONT VIEW

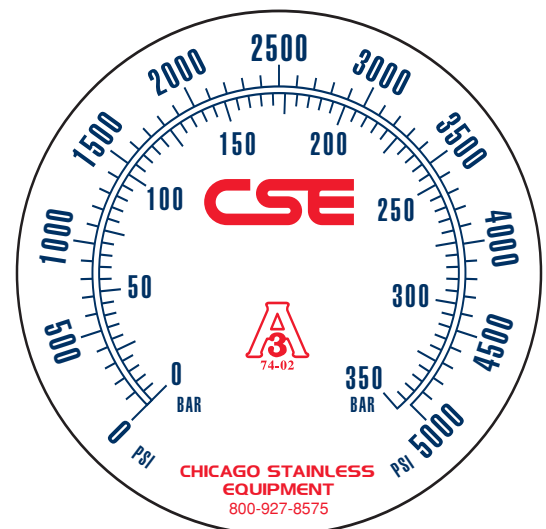
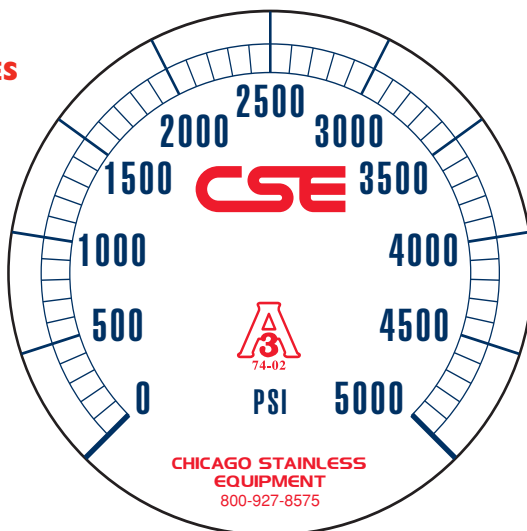
(shown with 2 bolt flange)



SIDE VIEW



TYPICAL DIAL FACES





SANI-FLOW

HOMOGENIZER PRESSURE GAUGES ORDERING INFORMATION

Below are typical examples of models with their descriptions.

EXAMPLE 1:

5H - V - 03

Describes a 5" Sani-Flow Homogenizer Pressure Gauge, 0 to 5,000 psi, a 1 1/8" thick flange, and a glycerine filled case.

EXAMPLE 2:

5H - WB - 01

Describes a 5" Sani-Flow Homogenizer Pressure Gauge, dual scale 0 to 10,000 psi/ 0 to 700 BAR, no flange, and a glycerine filled case.

MODEL NUMBER CONSISTS OF:

SERIES - PRESSURE RANGE - FLANGE

5H - V - 03

Please make a selection from each category below:

SERIES

5H - 5" Sani-Flow Homogenizer Pressure Gauge

PRESSURE RANGES*

- K - 0 to 1,000 psi (70 BAR)
T - 0 to 2,500 psi (170 BAR)
U - 0 to 3,000 psi (205 BAR)
V - 0 to 5,000 psi (350 BAR)
Y - 0 to 7,500 psi (520 BAR)
W - 0 to 10,000 psi (700 BAR)
X - 0 to 15,000 psi (1000 BAR)

*Standard scales are in PSI only.

For dual scales, after the pressure range add the letter B for PSI/BAR,

K for PSI/Kg/cm³, P for PSI/KPa (see examples in column).

FLANGE

- 01 - No Flange
02 - 7/8" Thick 2 Bolt Flange
03 - 1 1/8" Thick 2 Bolt Flange
04 - Waukesha 1/2" Thick 4 Bolt Flange
05 - Waukesha 3/4" Thick 4 Bolt Flange
09 - 1.66" Thick Laboratory Homogenizer Flange

Visit our website or request a catalog to see our complete line of high quality, precision products including: Sani-Flow Pressure Gauges, Homogenizer Pressure Gauges, Industrial Stainless Steel Pressure Gauges, Digital Thermometers, Pharma-Flow Pressure Gauges, Chem-Flow Pressure Gauges, Thermowells and Sensors.

DISTRIBUTED BY:

For more information or for a distributor in your area, contact us:

Chicago Stainless Equipment
800-927-8575
www.chicagostainless.com
hpg@chicagostainless.com

