

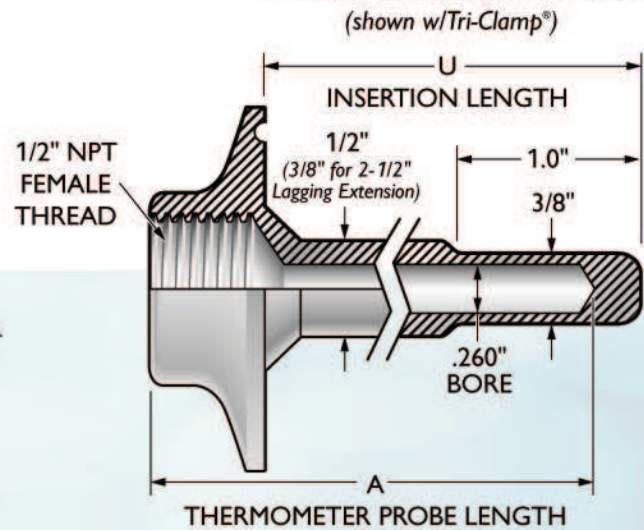
TYPICAL FITTINGS

THERMOWELL DIMENSIONS

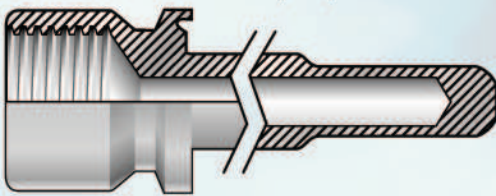
PROBE LENGTH (A)	INSERTION LENGTH (U)
2-1/2"	2-1/8" *
4"	3-5/8" *
6"	5-5/8" *
9"	8-5/8" *
12"	11-5/8" *

* For 3/4" Tri-Clamp Fitting subtract 3/8" from "U" Dimension.
 For Lagging Extension subtract 1-1/8" from "U" Dimension.
 For 3/4" Tri-Clamp With Lagging Extension subtract 1-1/2" from "U" Dimension.

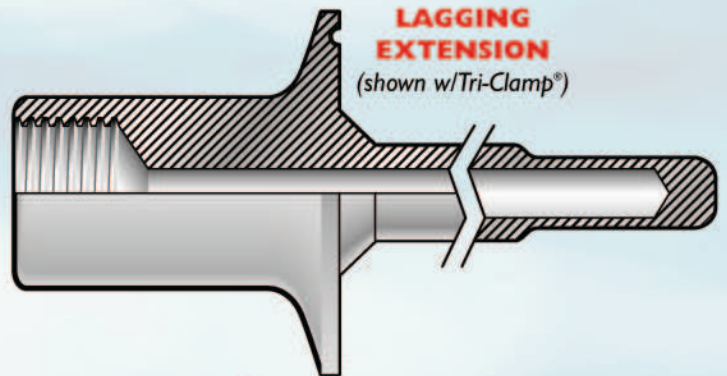
1" AND LARGER FITTINGS



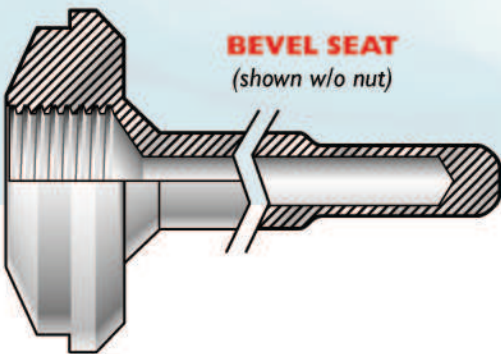
TRI-CLAMP®
(3/4")



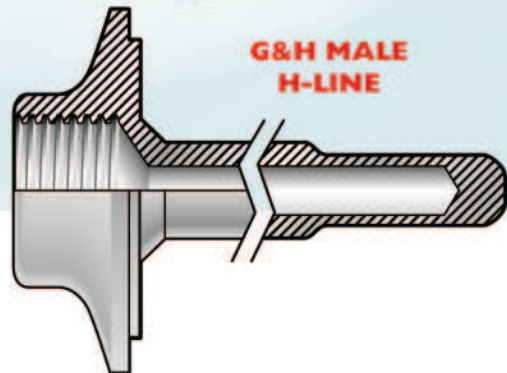
LAGGING EXTENSION
(shown w/Tri-Clamp®)



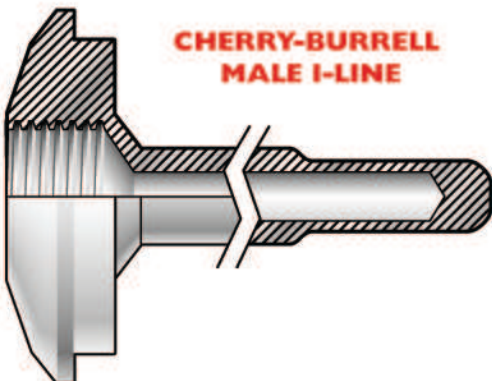
BEVEL SEAT
(shown w/o nut)



G&H MALE H-LINE



CHERRY-BURRELL MALE I-LINE



CHERRY-BURRELL "Q" CLAMP

