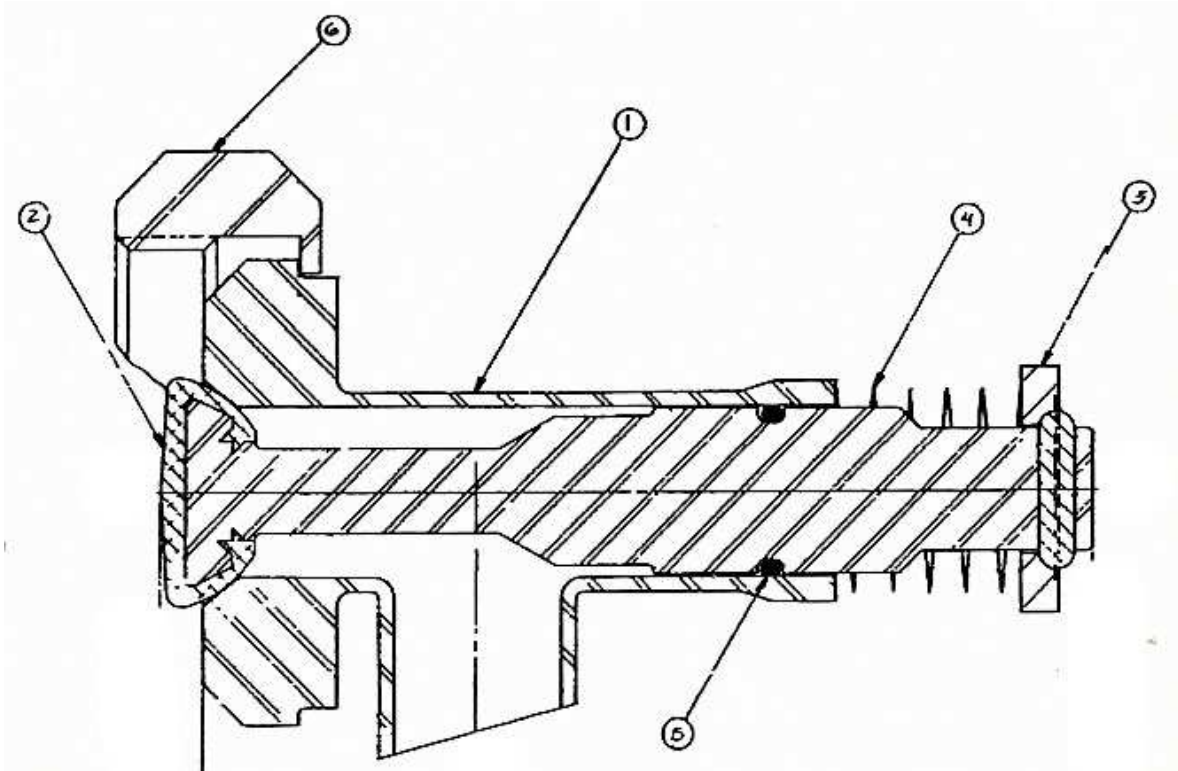


Pos.	Qty.	Description	Item#
1	1	Body	n/a
2	1	Stem & Seat Buna	620033
2	1	Stem & Seat SFY	318825
3	1 x	Spring Retainer	620769
4	1 x	Spring	620768
5	1 x	O Ring Buna	296257
5	1 x	O Ring SFY	290173
6	1	Hex Nut 1½"	011250
6	1	Hex Nut 2"	012350

x included in service kits
 Service Kit Buna 9613990620
 Service Kit SFY 9613990621



A30SMP Sample Valve

Pos.	Qty.	Description	1½"	2"	3"
1	1	Body	n/a	n/a	n/a
2	1	Stem & Seat Buna	620033	620033	620033
2	1	Stem & Seat SFY	318825	318825	318825
3	1 x	Spring Retainer	620769	620769	620769
4	1 x	Spring	620768	620768	620768
5	1 x	O Ring Buna	296257	296257	296257
5	1 x	O Ring SFY	290173	290173	290173

x included in service kits
 Service Kit Buna 9613990620
 Service Kit SFY 9613990621

