

SHEAR-blend

Powder Induction System

PORTABLE SINGLE BLENDER INDUCTION

The SHEAR-blend system combines powder induction and fluid pumping as an economical solution for moderate powder induction applications. The combination of shear teeth and pumping vanes on the Ampco SBI blender efficiently shear and pump the product. The custom induction elbow creates a vacuum generating powder induction rates of up to 150 lb/minute.

The SHEAR-blend system is fully CIP-able and designed for small to medium applications where shear is required but a larger two pump system is unnecessary. The unit comes complete with a stainless steel tabletop and removable 304SS hopper. Custom options are available, including VFD, cart options, lids, powder screens, 316SS hopper option and more.

- Model sizes available for powder induction rates of up to 150 lbs/ 68kg per minute*
- Washdown and CIP capability
- Does not require a feed pump for low viscosity fluids
- Not recommended for high shear/ viscosity applications

**Powder induction rates are dependent on pressure, viscosity and temperature of system*

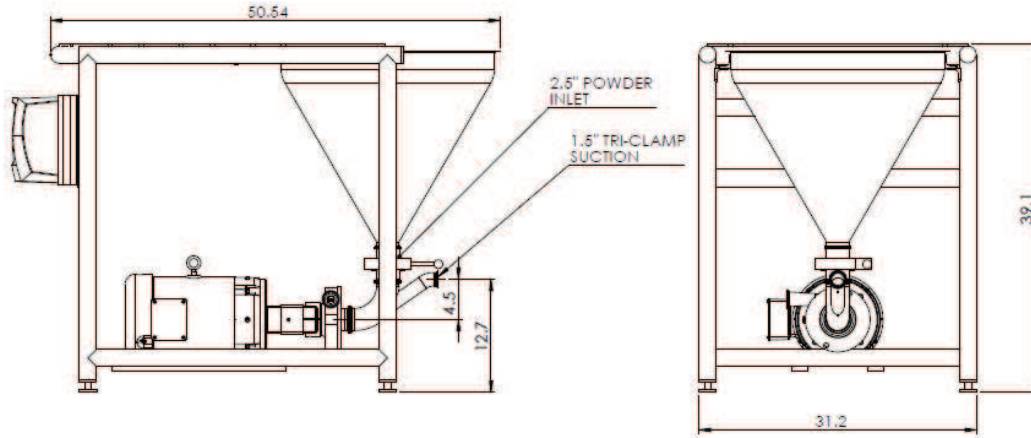


PRODUCT SPECIFICATIONS

Model	MAX Powder Induction Rate	Flow Rate	Motor HP	Motor Phase	Motor Speed
PIR15	150 lbs / minute 68kg / minute	83 GPM 314 lpm	7.5 HP 5.5 KW	3	3500 RPM 2900 RPM

* Induction rates based on 60hz.

* System weight 550 lbs/ 250kg



PI-R15 3500 RPM

