

Alfa Laval HL8 WideGap

Gasketed plate heat exchanger for hygienic applications

Introduction

Alfa Laval hygienic WideGap plate is specially designed to handle viscous liquids and liquids including fibres and particles for the hygienic applications.

The wide gap between the plates, the plate pattern forming open channels and the specially designed port allow fluids with fibres and particles to easily flow through the heat exchanger.

The hygienic WideGap plate could be configured with different channel gaps to optimise the process, depending on the fluid characteristics. This also allows for the possibility to increase heat recovery by having product on both hot and cold side. Direct exchange like this, without having to use a water loop in between, increases the heat transfer efficiency significantly.

Applications

- Food, Dairy and Beverages

Benefits

- Superior hygienic standards for product containing fibres and particles
- Superior hygienic standards – plates designed with food safety as top priority
- Gentle treatment of sensitive products
- Uncompromising cleanliness
- Superior distribution for long running hours
- Flexible configuration – possible to rebuild the heat exchanger

Features

Every detail is carefully designed to ensure the highest hygienic standards, gentle product treatment and efficient cleaning. Selection of available features, depending on configuration some features may not be applicable:

	Five point alignment	Ensures reliable plate positioning and easy service of large units
	Bearing boxes	Guarantees an easy-to-open unit for smoother, more efficient maintenance
	OpenChannel™	Long operating time for fluids with particles and fibres

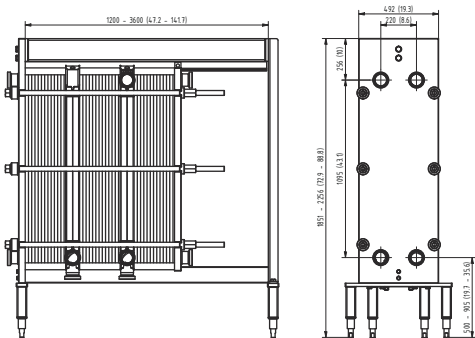


SmoothPort™

Prevents buildup and maximizes cleanability and drainability

Dimensional drawing

Measurements mm (inches)



Technical data

Component	Material
Heat transfer plate, Wide-gap:	Alloy 316
Field gasket:	NBR, EPDM
Frame plate and pressure plate:	Cladded stainless steel

Other materials may be available on request.

The plate heat exchanger can be manufactured according to 3A certification.

The gaskets are produced in compliance with the regulations of FDA.

Operational data

Specification	Value
Pressure vessel codes	
Temperature range	
°C (°F)	
Pressure range	
bar(g) (psig)	

Extended pressure and temperature rating may be available on request.

Connections

Clamp, SMS, DIN (unions and flanges), BS/RJT, FN1, IDF/ISO and ASME BPE

General remarks for technical information

- The global offering presented in this leaflet may not be available for all regions
- All combinations may not be configurable

Alfa Laval service offering

Our vision is to be your trusted partner for service, driving sustainable performance together. The Alfa Laval portfolio of service offers for Plate Heat Exchangers from start-up of your operations, through operation, process improvements, and replacement. Throughout the lifecycle, we bring you more than 140 years of technical experience and innovative service solutions tailored to your business needs. Easily accessible through our people all over the world.

For information about our complete service offering and how to contact us, please visit www.alfalaval.com/service.

Sustainability at Alfa Laval

At Alfa Laval we are committed to reaching net zero 2050 across our complete value chain. Our products and solutions support our customers to meet sustainability goals, boost circular business, and develop sustainable value chains. We are living our commitments by also setting clear targets to reach net zero emissions in our own operations and to reduce emissions upstream and downstream in our value chains. For more information about our sustainability journey and our sustainability targets aimed to drive efficiency and behavioural change to achieve better results in the short- and long term, please visit www.alfalaval.com/sustainability.

This document and its contents are subject to copyrights and other intellectual property rights owned by Alfa Laval AB (publ) or any of its affiliates (jointly "Alfa Laval"). No part of this document may be copied, re-produced or transmitted in any form or by any means, or for any purpose, without Alfa Laval's prior express written permission. Information and services provided in this document are made as a benefit and service to the user, and no representations or warranties are made about the accuracy or suitability of this information and these services for any purpose. All rights are reserved.

How to contact Alfa Laval

Up-to-date Alfa Laval contact details for all countries are always available on our website at www.alfalaval.com